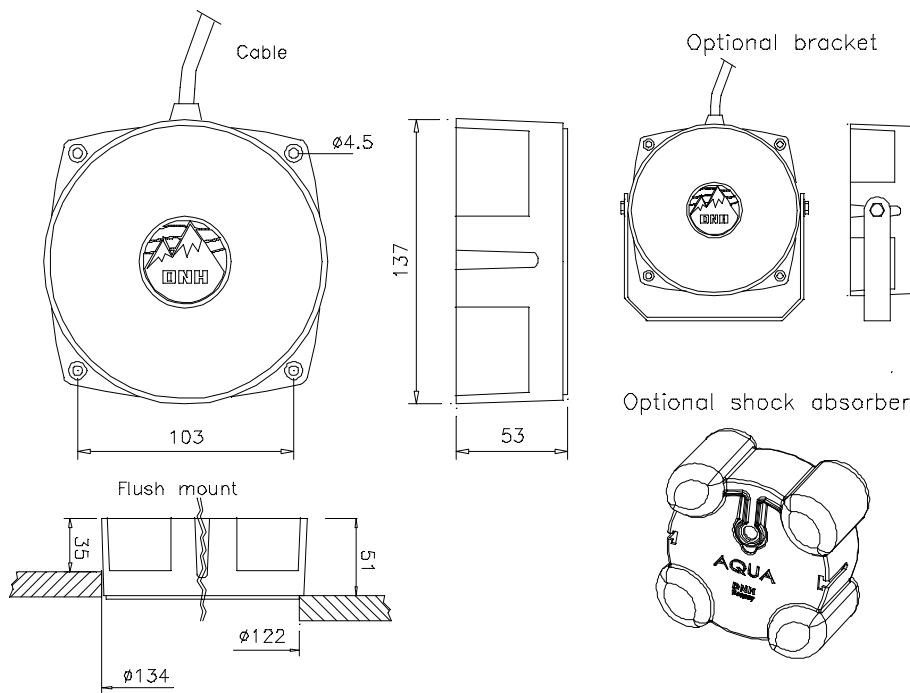
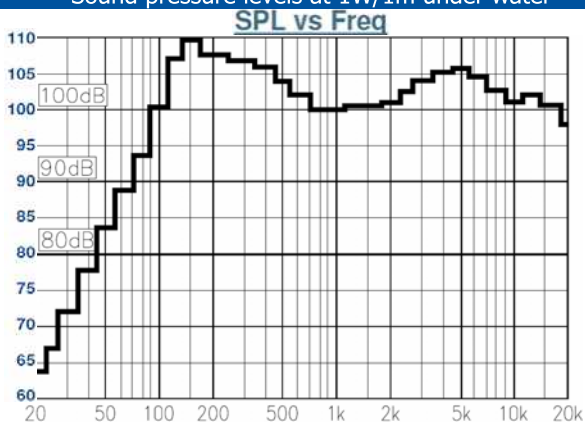




## LOUDSPEAKER FOR UNDERWATER APPLICATIONS



Sound pressure levels at 1W/1m under water



Specifications

Material / Color	PA / Blue
Mounting	4 screws
Termination	Cable, 5 m
Weight w/transformer	2,2 kg
IP-rating	68
Max. / min. amb. temp	90 C / -20 C
Rated / max. power	20 W / 30 W
SPL 1W/1m	105 dB
SPL rated power	118 dB
Effective freq. range	80 – 20000 Hz
Dispersion (-6dB) 1kHz / 4kHz	180 / 180
Directivity factor, Q	NA
Options	Impedances, colors, labels

### Installation, Operation and Maintenance Procedures

Use 4 screws for mounting on wall or alternative bracket system.

When mounting with optional bracket, use the slit on each side to connect the bracket to the loudspeaker.

Cable termination code: Green/yellow: Ground Brown: (+). Blue: (-)

Recommended installation deep 0,5m to 2m.

Typical sound coverage for Aqua-30 is 200 m<sup>2</sup>.

Warning, this loudspeaker generates very high sound pressures even when driven at low power. When installed under the water the Sound adjustment must be done carefully listening under the water.

For optimum performance, always use the correct voltage / power and operate within the frequency limits as stated.

Do not open loudspeaker when energized.

This loudspeaker is supplied with a 2 year warranty against defective workmanship.

