

EN 54 - 24

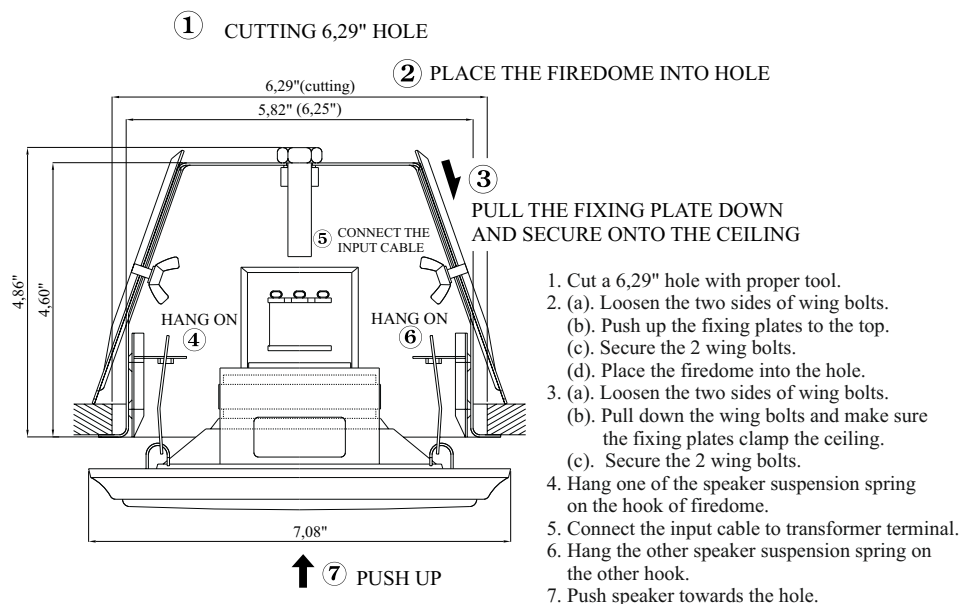
QUICK MOUNT CEILING SPEAKER

WARNING :

- Installation by qualified persons only.
- Speakers must be wired in parallel and connected to the correct line terminals of amplifier.
- Ensure that all speakers have the same polarity with respect to each other.
- The sum of the nominal power values of all the speakers connected must not exceed 80% of the amplifier's rated output.
- Do not select another tappings if the speaker is in use !
- No naked flame sources, such as lighted candles, should be placed on the apparatus.
- Minimum distances of 30mm around the apparatus for sufficient ventilation.
- Do not use appliance in tropical climate.
- Not to be exposed to dripping or splashing.
- Do not use this speaker with its front upward to prevent malfunctions.



Rated power	6 W
Adjustable power	6 / 3 / 1,5 W
Material	metal
Loudspeakers	1 dual cone broadband
Sound press. SPL	99 dB
Pnom/1m	92 dB
Sensitivity 1W/1m	100 ÷ 15.000 Hz
Frequency response	150°
Dispersion angle @2kHz	spring fixing system
Mounting	Ø 160 ÷ 165 mm
Installation hole	white
Colour	Ø 180 x 120 mm
Dimensions (W x H x D)	1,5 kg
Weight	



1. Cut a 6,29" hole with proper tool.
2. (a). Loosen the two sides of wing bolts.  
(b). Push up the fixing plates to the top.  
(c). Secure the 2 wing bolts.  
(d). Place the firedome into the hole.
3. (a). Loosen the two sides of wing bolts.  
(b). Pull down the wing bolts and make sure the fixing plates clamp the ceiling.  
(c). Secure the 2 wing bolts.
4. Hang one of the speaker suspension spring on the hook of firedome.
5. Connect the input cable to transformer terminal.
6. Hang the other speaker suspension spring on the other hook.
7. Push speaker towards the hole.